

LTC-4SQDPH

LITEISTRY 4" SQUARE CYLINDER WITH POWERHUBB™

LITEISTRY™

FEATURES

- 4" architectural LED downlight cylinder delivering 600 - 2000 lm
- Five beam distributions from 0.4 to 1.2 Spacing Criteria
- Quiet reflector appearance with 50° optical cutoff
- 2700K - 5000K, 80+ and 90+ CRI options
- Available in Surface, Wall, Pendant or Cable/Cord Mount configurations
- Versatile canopy options for recessed and surface-mounted J-box applications
- PowerHUBB™ enables low-voltage wired connectivity for Power over Ethernet (PoE) network system deployment



(Select Models)

RELATED PRODUCTS

- [Ø 3" LITEISTRY Family](#)
 [Ø 4" LITEISTRY Family](#)
 [Ø 6" LITEISTRY Family](#)

CONTROL TECHNOLOGY



SPECIFICATIONS

CONSTRUCTION

- Seamless heavy gauge aluminum cylinder body with a clean appearance
- Available in Surface (S), Wall (W), Pendant (P), or Cable/Cord (CM) mounting types
- Canopy options include Conduit Canopy (CC), Power Canopy (PC), Power Conduit Canopy (PCC), or Recessed Mount Driver (RMD), (See Dimensions section for details)
- For S, P, or CM mounting with PCC canopy option, use 4" octagonal junction box (by others)
- All Wall Mount: Die cast aluminum mounting arm allows direct mounting to standard 4" octagonal or square junction box
- Pendant Mount canopy options allow sloped ceiling up to 35° (5° for RMD)
- Select from 4 standard architectural painted finishes, Brushed Aluminum, or specified custom color

OPTICS

- Visually pleasing 50° cutoff to source and source image
- The light distribution is free of distracting bright spots or pixelation and the perimeter has a smooth transition
- Optical grade silicone lens integral to light engine
- High purity four panel aluminum reflector, self-flanged
- Large selection of anodized finishes and colors

OPTICS (CONTINUED)

- Painted cones and flange options available

ELECTRICAL

- Chip-on-board LED with 2 SDCM
- Multiple CCTs, 80+ or 90+ CRI
- Long LED life: L90 at >55,000 (TM-21)
- PowerHUBB™ enables low-voltage wired connectivity for Power over Ethernet (PoE) network system deployment
- EMI Filtering (FCC 47 CFR Part 15) Class A

INSTALLATION

- Light Engine/Trim assembly is mechanically secured with torsion springs for ease of installation
- A quick connect is provided for easy maintenance or upgrade
- Recessed Mount Driver (RMD) is accessible from above or below ceiling; assembly mounts with 1/4-20 threaded rod (by others) and requires 6" plenum clearance
- Conduit Canopy options (CC or PCC) allow field selectable conduit entry (up to 4@ 90 deg) (See Dimensions section)
- Conduit Canopies utilize a patent pending mounting yoke to secure cylinder to the ceiling surface
- Cable/Cord can be cut in the field to custom length
- Standard and Custom Pendant lengths available (specify when ordering)

CERTIFICATIONS

- cCSAus certified to UL 2108
- Wall Mount (except CC): Suitable for wet locations
- Pendant Mount (except PCC): Suitable for wet locations under covered ceiling
- Surface, Cable/Cord Mount and all CC and PCC: Suitable for damp locations
- This product qualifies as a "designated country construction material" per FAR 52.225-11 Buy American-Construction. Materials under Trade Agreements effective 6/6/2020. See [Buy American Solutions](#).

WARRANTY

- 5 year warranty
- See [HLI Standard Warranty](#) for additional information

KEY DATA	
Lumen Range	600-2000
Wattage Range	8-23
Efficacy Range (LPW)	89-99*
Reported Life (Hours)	L90 / >55,000
Input Current Range (mA)	N/A

*Based on Specular, 35K, 80 CRI



LTC-4SQDPH

LITEISTRY 4" SQUARE CYLINDER WITH POWERHUBB™

DATE: _____ LOCATION: _____

TYPE: _____ PROJECT: _____

CATALOG #: _____

ORDERING GUIDE

Example: LTC-4SQDPH-CM15WHPCC -15L35K9WD-PMC-SS-WH

CATALOG #

LTC-4SQDPH		Cylinder Mounting		Canopy Option		Lumen Output		CCT		CRI	
Aperture/Shape/Function		S Surface		<i>Refer to chart on Page 3 for available canopy options based on driver/controls selection</i>		06L 600 Lumens ³		27K 2700K		8 80+ CRI	
LTC-4SQDPH 4" Square Downlight Cylinder		W Wall				10L 1000 Lumens ³		30K 3000K		9 90+ CRI	
		P Pendant (Standard) Nominal 18" length from cylinder top to ceiling ⁶		<i>Standard Canopy</i> ^{3,5}		15L 1500 Lumens ³		35K 3500K			
		P_ Pendant (Custom) Specify length from cylinder top to ceiling in 1 inch increments from 15 to 60 ⁶		CC Conduit Canopy ^{3,5}		20L 2000 Lumens ³		40K 4000K			
		Cable/Cord ⁴		PC Power Canopy ^{3,5}				50K 5000K ¹			
		CM 6ft Clear Cord		PCC Power Conduit Canopy ^{3,5}							
		CMBL 6ft Black Cord		RMD Recessed Mount Driver ^{3,5}							
		CMWH 6ft White Cord									
		CM15 15ft Clear Cord									
		CM15BL 15ft Black Cord									
		CM15WH 15ft White Cord									

Distribution		PowerHUBB Node		Reflector Finish		Reflector Color		Flange Color Options	
VNR Very Narrow (0.4 SC/23°) ⁴ Narrow (0.6 SC/37°)		PM PowerHUBB™, On/Off/1% Dim, Master		<i>Finish not applicable with painted reflectors (WC or BC)</i>		<i>Standard Clear</i>		<i>Standard matches reflector color</i>	
NR Medium (0.8 SC/46°)		PMC PowerHUBB™, On/Off/1% Dim, Control Inputs, Master		S Specular		CG Champagne Gold		WT White Flange ²	
MD Wide (1.0 SC/60°)		PS PowerHUBB™, On/Off/1% Dim, Satellite		SS Semi-Specular		BL Black		BT Black Flange ²	
WD Extra Wide (1.2 SC/69°)		PSC PowerHUBB™, On/Off/1% Dim, Control Inputs, Satellite		VS Softglow®		LW Light Wheat			
XW				VSS SoftSheen™		PW Pewter			
						WC Painted White Cone and Flange			
						BC Painted Black Cone and Flange			

Exterior Cylinder Color	
BA	Brushed Aluminum ⁷
BZ	Bronze
BL	Matte Black
WH	Matte White
SVR	Silver
CC_	Custom Color (Specify RAL#, Example: CCRAL1073)
TCC_	True Custom Color (Specify description, Example: TCC BABY BLUE, Paint chip must be provided to match)

Notes:

- 1 5000K is available in 80+CRI only
- 2 WT not needed for WC; BT not needed for BC
- 3 For lumen outputs/configurations available, see chart on page 3.
- 4 Cable/Cord can be cut in the field to custom length.
- 5 See Dimensions section for canopy configuration details.
- 6 Stem length varies by canopy configuration. See Dimensions section for details.
- 7 Canopy color for Brushed Aluminum is Black.



LTC-4SQDPH

LITEISTRY 4" SQUARE CYLINDER WITH POWERHUBB™

DATE:	LOCATION:
TYPE:	PROJECT:
CATALOG #:	

DRIVER/CONTROL OPTION AVAILABILITY

Driver and Control options listed below are available in the configurations and lumen packages as shown.

Driver/Control Option		Cylinder Mounting ¹	Canopy Options ²	06L	10L	15L	20L
All PH	0-10V 5%	W	Standard/CC	●	●	●	●
		P/S/CM	PC/PCC/RMD	●	●	●	●

- 1 See Cylinder Mounting chart.
- 2 See Canopy Options chart and Dimensions section for details.
- 3 RMD is Non-IC rated unless noted.
- 4 IC Rated.

Cylinder Mounting		Canopy Options	
S	Surface Mount	(Blank)	Standard Canopy
W	Wall Mount	CC	Conduit Canopy
P	Pendant Mount	PC	Power Canopy
CM	Cable/Cord Mount	PCC	Power Conduit Canopy
		RMD	Recessed Mount Driver/Node ³

PERFORMANCE DATA TABLE

Performance data provided below is for 3500K, 80 CRI with Specular Clear reflector finish/color

Lumen Package	Nominal Lumens	Distribution	Delivered Lumens	Watts	LPW
06L	600	Very Narrow	705	8.2	86
		Narrow	796	7.8	102
		Medium	764	7.8	98
		Wide	678	7.8	87
		Extra Wide	643	7.8	82
10L	1000	Very Narrow	1158	12.5	92
		Narrow	1273	12.0	106
		Medium	1222	12.0	102
		Wide	1085	12.0	90
		Extra Wide	1028	12.0	86
15L	1500	Very Narrow	1663	18.0	92
		Narrow	1821	18.6	98
		Medium	1748	18.6	94
		Wide	1552	18.6	83
		Extra Wide	1471	18.6	79
20L	2000	Very Narrow	2090	23.3	90
		Narrow	2237	22.7	99
		Medium	2209	22.7	97
		Wide	2081	22.7	92
		Extra Wide	2026	22.7	89

LTC-4SQDPH

LITEISTRY 4" SQUARE CYLINDER WITH POWERHUBB™

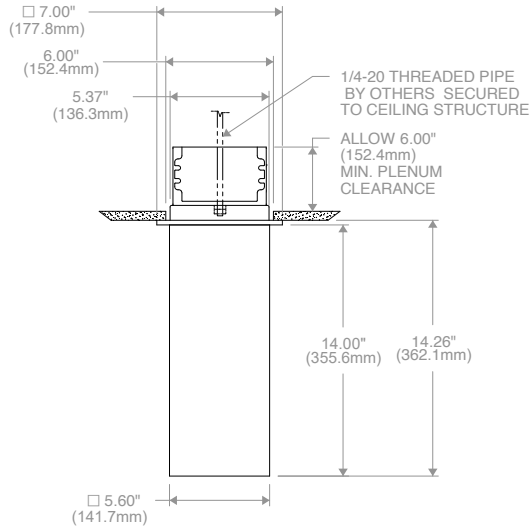
DATE: _____ LOCATION: _____

TYPE: _____ PROJECT: _____

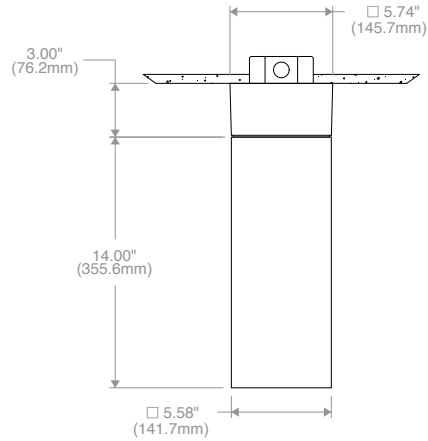
CATALOG #: _____

DIMENSIONS

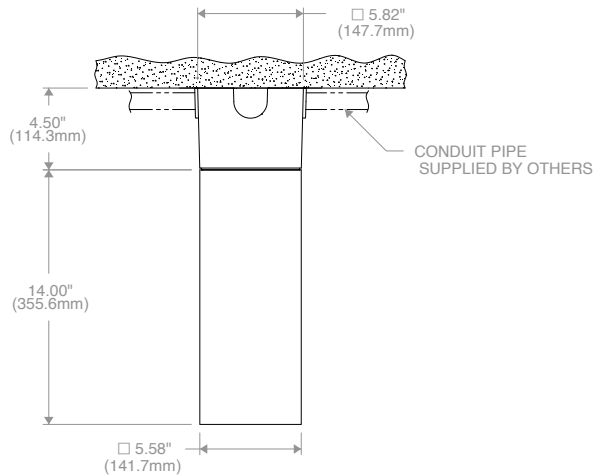
SURFACE (S)



**Surface
Recessed Mount Driver
SRMD**



**Surface
Power Canopy
SPC**



**Surface
Power Conduit Canopy
SPCC**

LTC-4SQDPH

LITEISTRY 4" SQUARE CYLINDER WITH POWERHUBB™

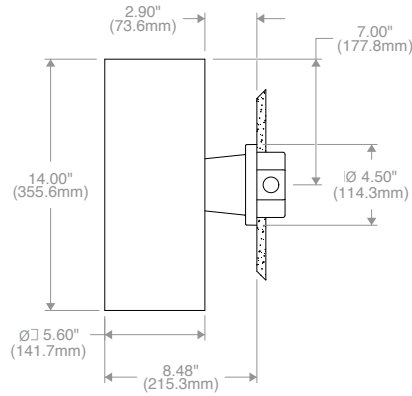
DATE: _____ LOCATION: _____

TYPE: _____ PROJECT: _____

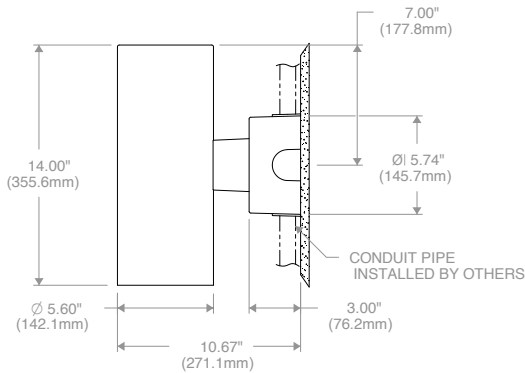
CATALOG #: _____

DIMENSIONS

WALL (W)



**Wall
Standard Canopy
W**



**Wall
Conduit Canopy
WCC**

LTC-4SQDPH

LITEISTRY 4" SQUARE CYLINDER WITH POWERHUBB™

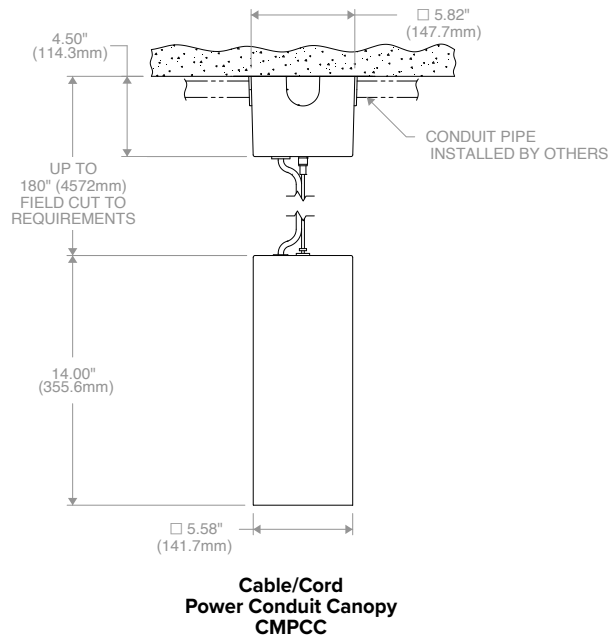
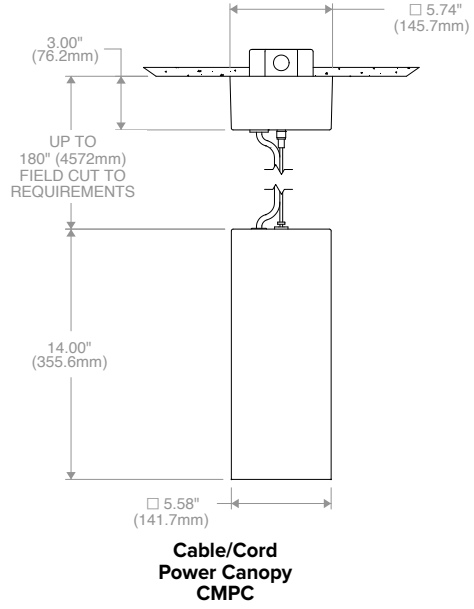
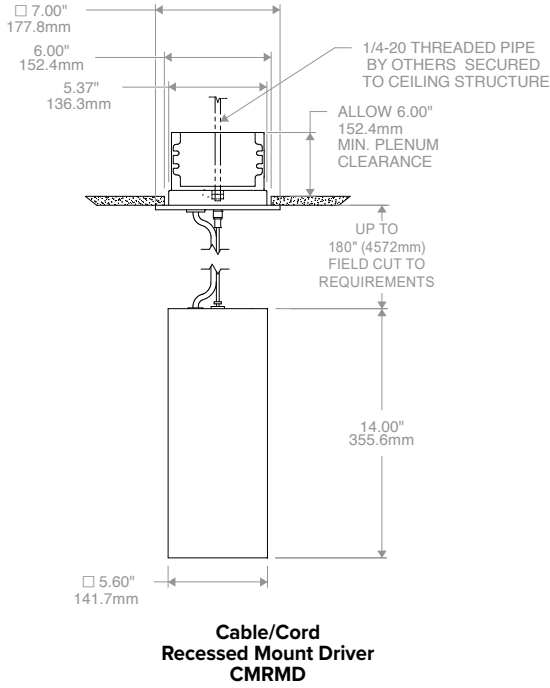
DATE: _____ LOCATION: _____

TYPE: _____ PROJECT: _____

CATALOG #: _____

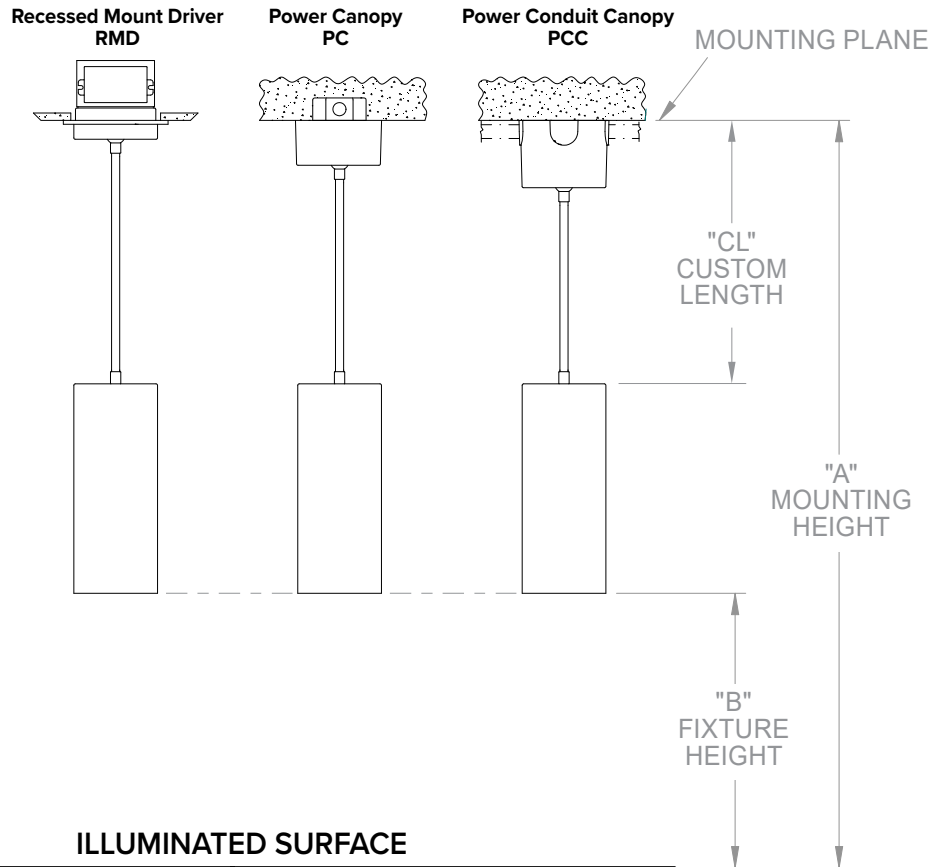
DIMENSIONS

CABLE/CORD (CM)



DIMENSIONS

PENDANT CUSTOM LENGTH



Custom Length (CL) = Mounting Height (A) - Fixture Height (B) - 14" Cylinder

Ordering Example:

A (120") - B (72") - 14" = 34" Custom Length
LTC-4SQD-P34

LTC-4SQDPH

LITEISTRY 4" SQUARE CYLINDER WITH POWERHUBB™

DATE: _____ LOCATION: _____

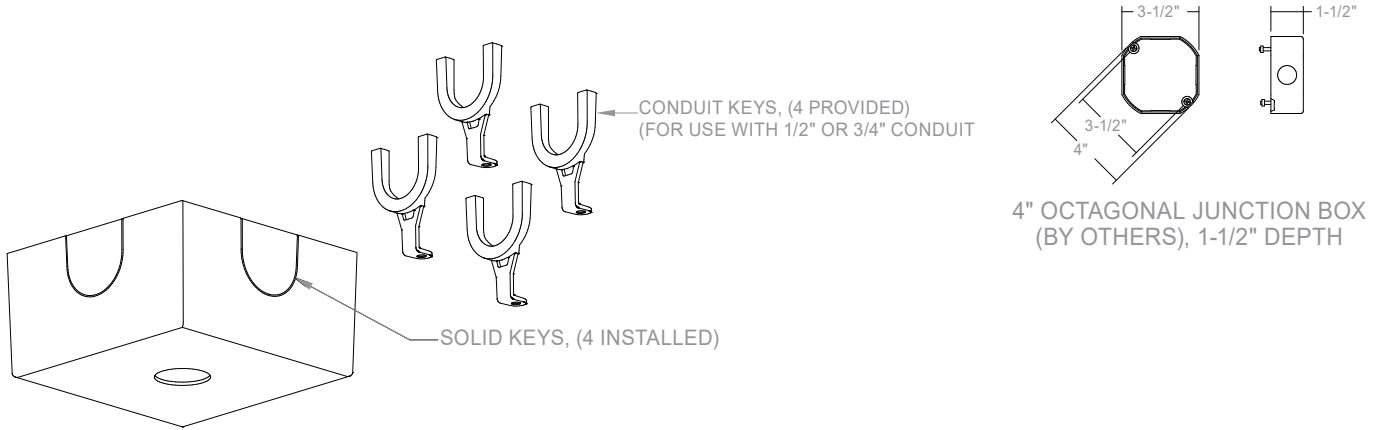
TYPE: _____ PROJECT: _____

CATALOG #: _____

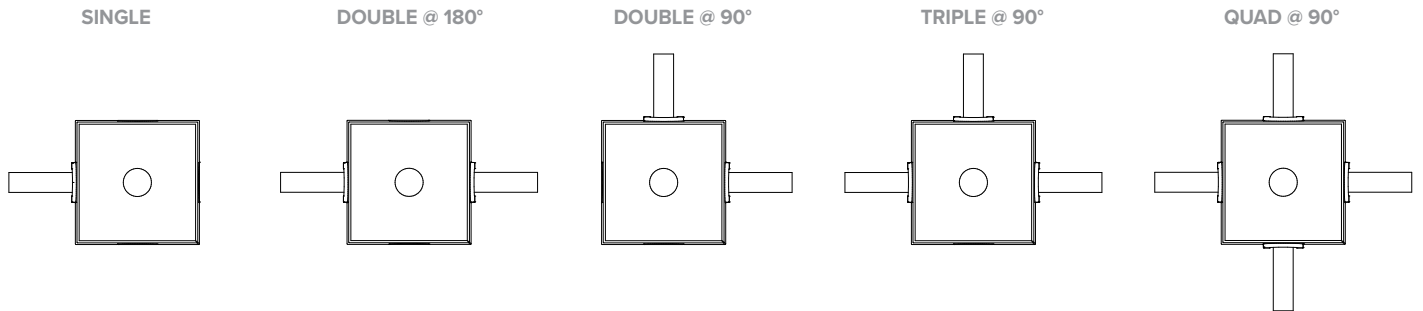
DIMENSIONS

CONDUIT CANOPY DETAILS

CC and PCC Conduit Canopy options come standard with (4) Solid Keys installed and (4) Conduit Keys provided.
Accommodates a 4" octagonal junction box with 1-1/2" depth (by others).



CONDUIT MOUNTING EXAMPLES - FIELD INTERCHANGEABLE



LTC-4SQDPH

LITEISTRY 4" SQUARE CYLINDER WITH POWERHUBB™

PHOTOMETRY

LTC-4SQDPH-P-20L35K8VNR-PMC-S-BL

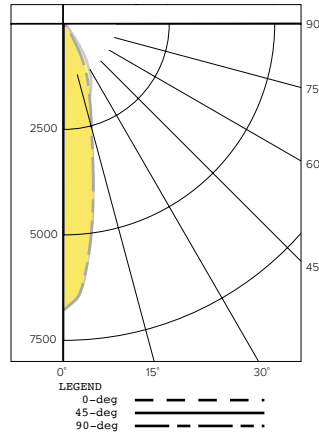
LUMINAIRE DATA

Test No.	R20.01214-C02
Description	2000 lm, Very Narrow, 3500K, 80 CRI
Delivered Lumens	2090
Watts	23.3W
Efficacy	90
Mounting	Pendant
Spacing Criterion	0.4
Beam Angle (FWHM)	23

ZONAL LUMEN SUMMARY

Zone	Lumens	% Luminaire
0-40	1994	95.4
0-60	2083	99.6
0-90	2090	100.0
0-180	2090	100.0

POLAR GRAPH



CANDELA DISTRIBUTION

Degree	Candela - 0	Candela - 45	Candela - 90
0	6726	6726	6726
5	5842	5834	5819
15	2473	2412	2440
25	1158	1490	1150
35	199	626	199
45	110	133	110
55	17	21	17
65	5	5	4
75	2	2	2
85	0	0	0
90	0	0	0

LTC-4SQDPH-P-20L35K8NR-PMC-S-BL

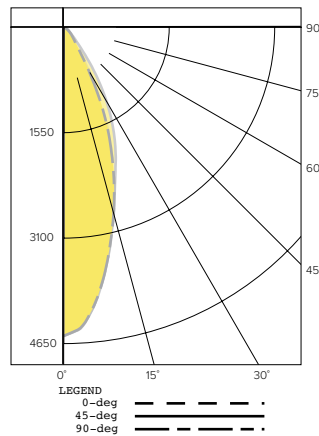
LUMINAIRE DATA

Test No.	R19.00949-02
Description	2000 lm, Narrow, 3500K, 80 CRI
Delivered Lumens	2237
Watts	22.7W
Efficacy	98.7
Mounting	Pendant
Spacing Criterion	0.6
Beam Angle (FWHM)	37

ZONAL LUMEN SUMMARY

Zone	Lumens	% Luminaire
0-40	2103	94.0
0-60	2227	99.6
0-90	2237	100.0
0-180	2237	100.0

POLAR GRAPH



CANDELA DISTRIBUTION

Degree	Candela - 0	Candela - 45	Candela - 90
0	4527	4527	4527
5	4233	4235	4231
15	2801	2791	2788
25	1321	1711	1318
35	282	655	283
45	110	133	110
55	23	30	24
65	5	6	5
75	2	2	2
85	1	1	1
90	0	0	0

LTC-4SQDPH-P-20L35K8MD-PMC-S-BL

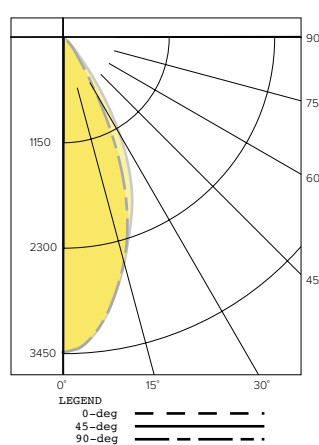
LUMINAIRE DATA

Test No.	R19.00950-02
Description	2000 lm, Medium, 3500K, 80 CRI
Delivered Lumens	2209
Watts	22.7W
Efficacy	97.4
Mounting	Pendant
Spacing Criterion	0.8
Beam Angle (FWHM)	46

ZONAL LUMEN SUMMARY

Zone	Lumens	% Luminaire
0-40	2056	93.1
0-60	2199	99.6
0-90	2209	100.0
0-180	2209	100.0

POLAR GRAPH



CANDELA DISTRIBUTION

Degree	Candela - 0	Candela - 45	Candela - 90
0	3435	3435	3435
5	3305	3309	3307
15	2550	2565	2556
25	1414	1761	1424
35	365	739	371
45	123	155	124
55	26	34	26
65	6	6	5
75	2	3	2
85	1	1	1
90	0	0	0

LTC-4SQDPH

LITEISTRY 4" SQUARE CYLINDER WITH POWERHUBB™

PHOTOMETRY (CONTINUED)

LTC-4SQDPH-P-20L35K8WD-PMC-S-BL

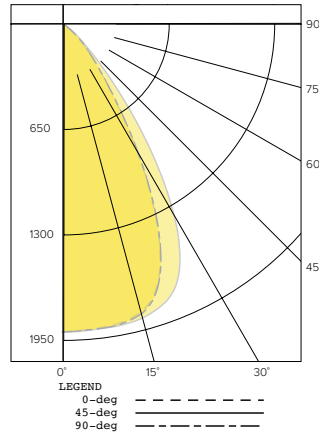
LUMINAIRE DATA

Test No.	R19.01045-02
Description	2000 lm, Wide, 3500K, 80 CRI
Delivered Lumens	2081
Watts	22.7W
Efficacy	91.8
Mounting	Pendant
Spacing Criterion	1.0
Beam Angle (FWHM)	60

ZONAL LUMEN SUMMARY

Zone	Lumens	% Luminaire
0-40	1846	96.3
0-60	2068	99.8
0-90	2081	100.0
0-180	2081	100.0

POLAR GRAPH



CANDELA DISTRIBUTION

Degree	Candela - 0	Candela - 45	Candela - 90
0	1906	1906	1906
5	1897	1902	1900
15	1850	1887	1861
25	1392	1702	1403
35	549	939	558
45	190	257	192
55	38	52	39
65	7	8	7
75	3	3	3
85	1	1	1
90	0	0	0

LTC-4SQDPH-P-20L35K8XW-PMC-S-BL

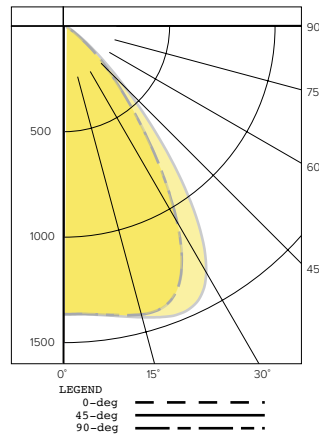
LUMINAIRE DATA

Test No.	R19.00952-02
Description	2000 lm, Extra Wide, 3500K, 80 CRI
Delivered Lumens	2026
Watts	22.7W
Efficacy	89.2
Mounting	Pendant
Spacing Criterion	1.2
Beam Angle (FWHM)	69

ZONAL LUMEN SUMMARY

Zone	Lumens	% Luminaire
0-40	1699	83.9
0-60	2012	99.3
0-90	2026	100.0
0-180	2026	100.0

POLAR GRAPH



CANDELA DISTRIBUTION

Degree	Candela - 0	Candela - 45	Candela - 90
0	1368	1368	1368
5	1373	1375	1373
15	1418	1432	1417
25	1304	1458	1301
35	741	1064	738
45	271	376	271
55	48	73	49
65	8	9	8
75	3	3	3
85	1	1	1
90	0	0	0

LUMEN MULTIPLIER

Option	27K8	30K8	35K8	40K8	50K8	27K9	30K9	35K9	40K9
Multiplier	0.94	0.98	1.00	1.01	1.02	0.81	0.84	0.85	0.85

Photometrics are published below at a nominal 3500 Kelvin, 80+ CRI. This table may be used to approximate the lumen values at different Kelvin temperatures. Power consumption would stay the same.

LTC-4SQDPH

LITEISTRY 4" SQUARE CYLINDER WITH POWERHUBB™

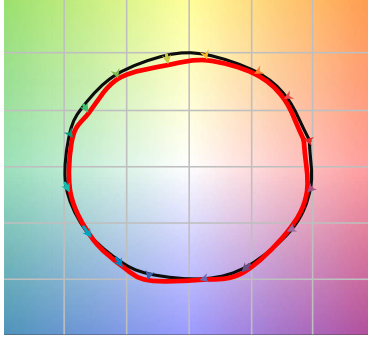
DATE: _____ LOCATION: _____

TYPE: _____ PROJECT: _____

CATALOG #: _____

TM-30 DATA

COLOR VECTOR GRAPHIC
3500K, 90 CRI



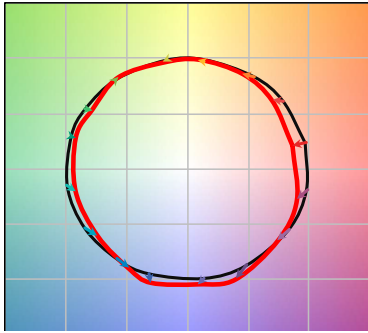
— Reference Illuminant — Test Source

COLOR DISTORTION GRAPHIC
3500K, 90 CRI



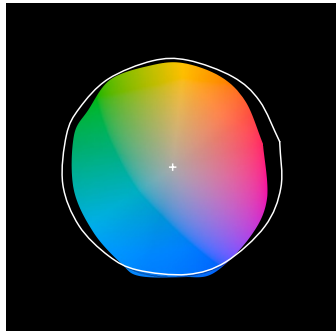
TEST RESULTS - 3500K		
Value	80+ CRI	90+ CRI
R _t	84	88
R _g	95	95
CCT (K)	3411	3419
D _{uv}	0.0015	0.0042
x	0.4120	0.4147
y	0.3974	0.4052
CIE R _a	84	93
CIE R _g	11	62

COLOR VECTOR GRAPHIC
3500K, 80 CRI



— Reference Illuminant — Test Source

COLOR DISTORTION GRAPHIC
3500K, 80 CRI



ELECTRICAL DATA

WATTAGE DATA		
Lumen Output	Nominal Lumens	WATTAGE
06L	600	8
10L	1000	12
15L	1500	19
20L	2000	23

* Wattage may vary based on configuration and options selected

ADDITIONAL INFORMATION

PowerHUBB™ **POWERHUBB™**
PoE LIGHTING & CONTROL

Hubbell Control Solutions' PowerHUBB™ is an enterprise-level Power over Ethernet (PoE) lighting and control platform that seamlessly integrates luminaires, sensors, user interfaces and software for a scalable intelligent building control solution.

See separate [PowerHUBB™ In-Fixture Solutions Guide](#) and [Hubbell Control Solutions PowerHUBB Brochure](#) for more details.